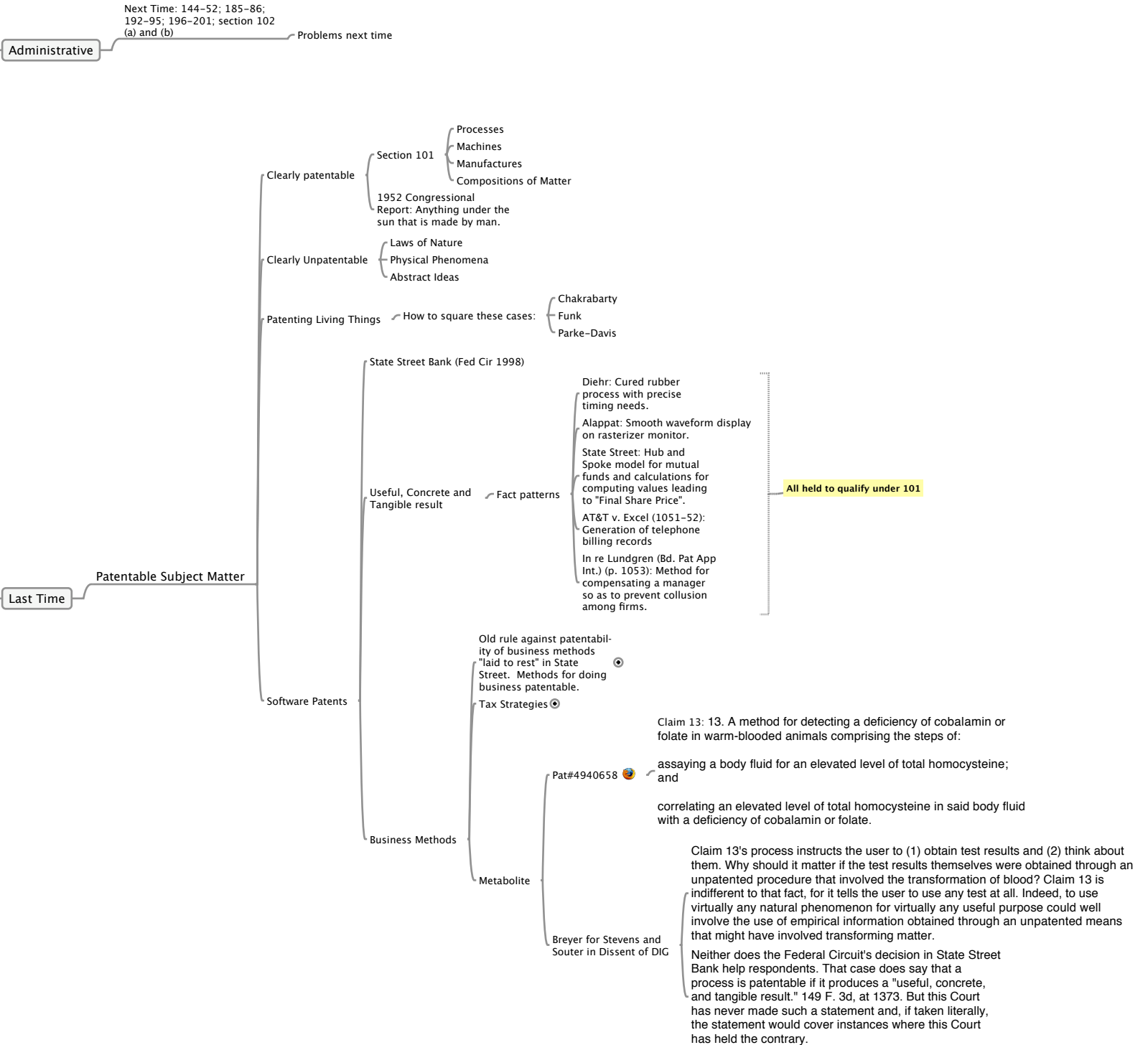


**Class 6: Enablement And Written Description**



# Class 6: Enablement And Written Description

Reading a Patent

Requirements to get a Patent

- Patentable subject matter ⊕
- Novelty (has not been preceded in identical form ⊕ in the public prior art)
- Utility ⊕
- Nonobviousness (nontrivial extension of what was known) ⊕
- Enablement/Written Description ⊕
- Note this comes up twice
  - Prosecution ⊕
  - Litigation ⊕

Parts of a Patent ⊕

Enablement

- PHOSITA
- Incandescent Lamp ⊕
- Chemical Analogs ⊕

Written Description

Gentry Gallery

Facts

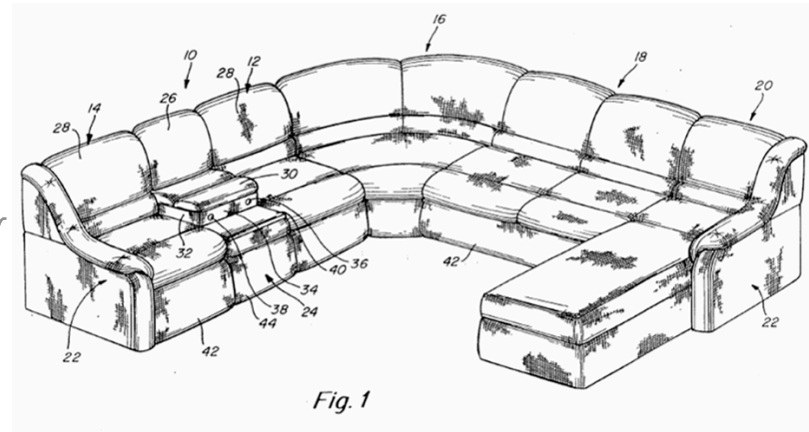


Fig. 1

What future generations will think of us.  
Disclosure (177 and 178):  
Claims

Held Reasoning

- Rule/Test
- Compared to Enablement ⊕
- And Biotech

Best Mode ⊕