



(12) **United States Patent**
Engelgau

(10) **Patent No.:** US 6,237,565 B1
(45) **Date of Patent:** *May 29, 2001

(54) **ADJUSTABLE PEDAL ASSEMBLY WITH ELECTRONIC THROTTLE CONTROL**

5,056,742 10/1991 Sakurai 244/235

(75) **Inventor:** Steven J. Engelgau, Royal Oak, MI (US)

Primary Examiner—John Kwon
(74) *Attorney, Agent, or Firm*—Howard & Howard

(73) **Assignee:** Teleflex Incorporated, Plymouth Meeting, PA (US)

(57) **ABSTRACT**

(*) **Notice:** Subject to any disclaimer, the term of this patent is extended or adjusted under 35 U.S.C. 154(b) by 0 days.

This patent is subject to a terminal disclaimer.

(21) **Appl. No.:** 09/643,422

(22) **Filed:** Aug. 22, 2000

Related U.S. Application Data

(63) **Continuation of application No. 09/236,975, filed on Jan. 26, 1999, now Pat. No. 6,109,241.**

(51) **Int. Cl. 7** F02D 1/00

(52) **U.S. Cl.** 123/399; 74/560

(58) **Field of Search** 123/399; 74/560

(56) **References Cited**

U.S. PATENT DOCUMENTS

4,470,570 9/1984 Sakurai et al. 244/235

4 Claims, 4 Drawing Sheets

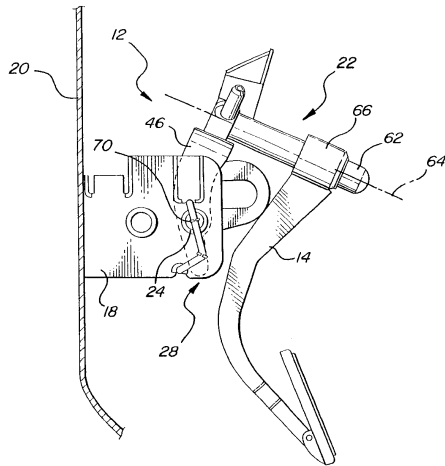


FIG-1

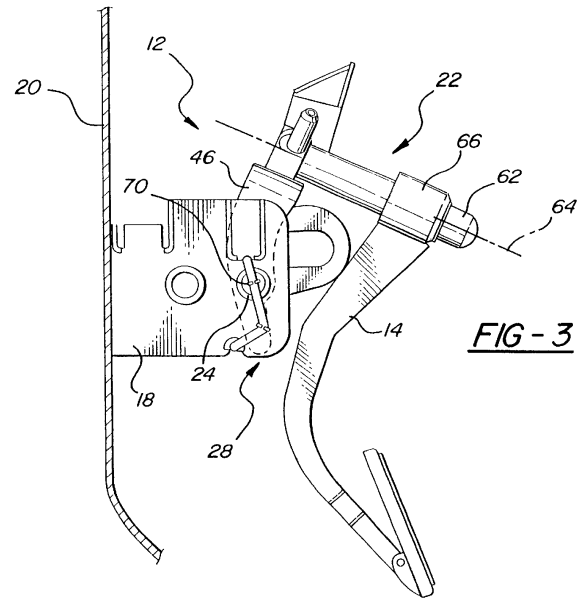
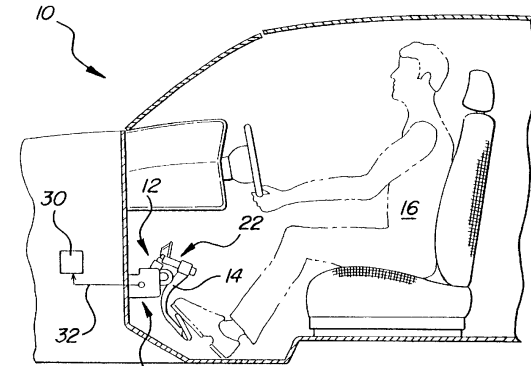
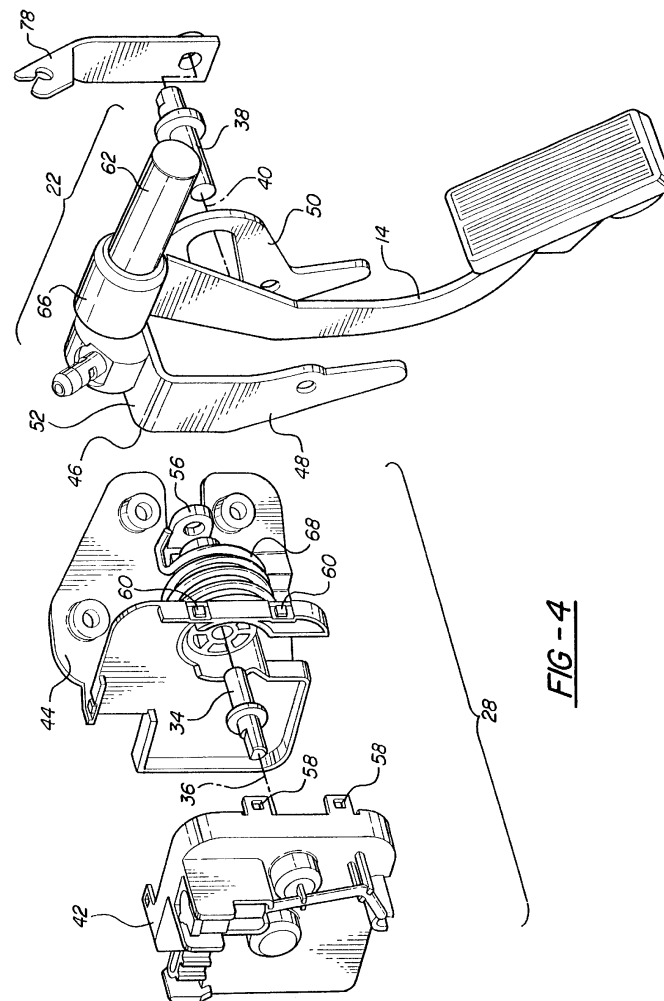
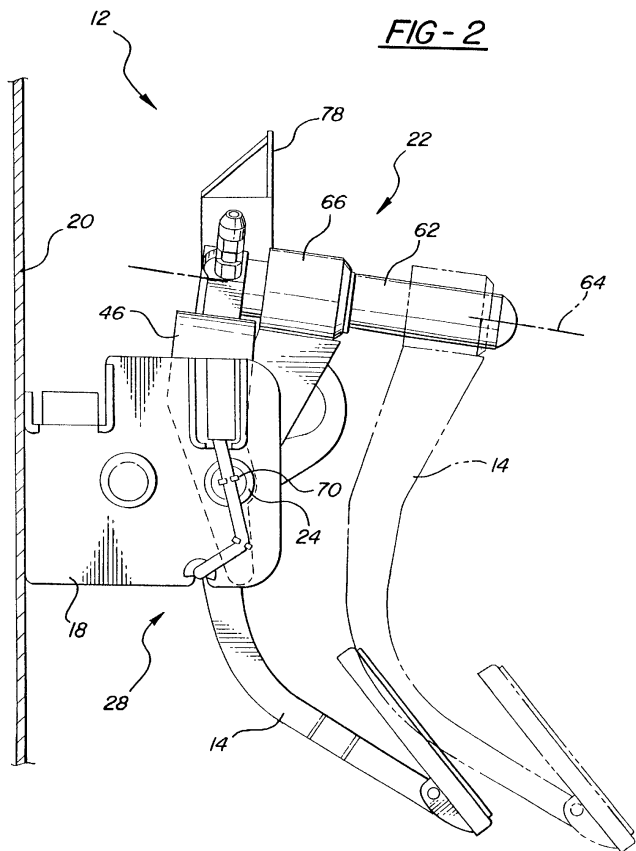


FIG-3



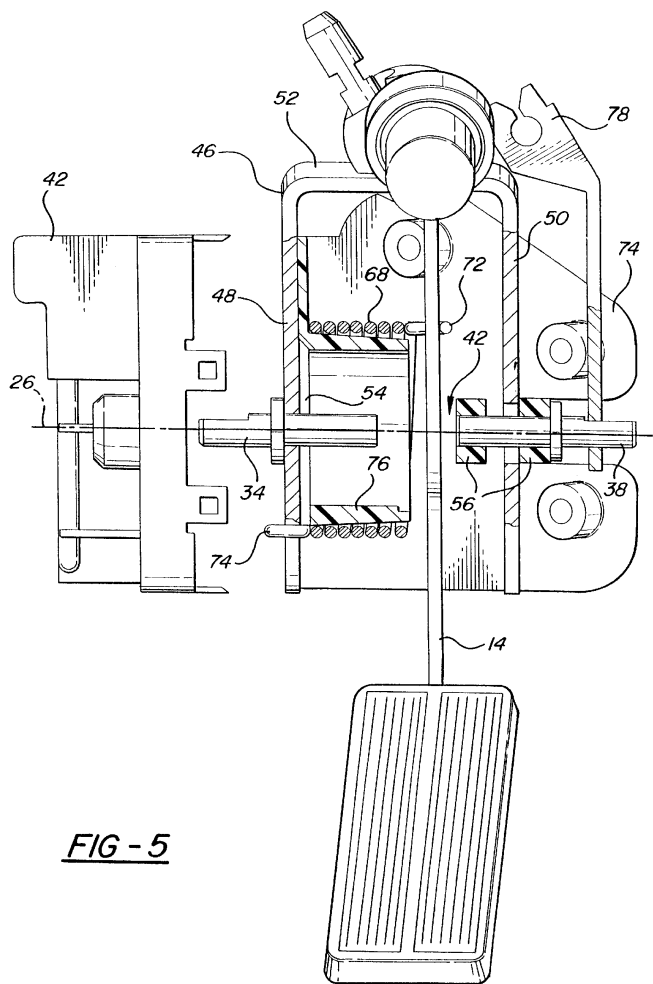


FIG - 5